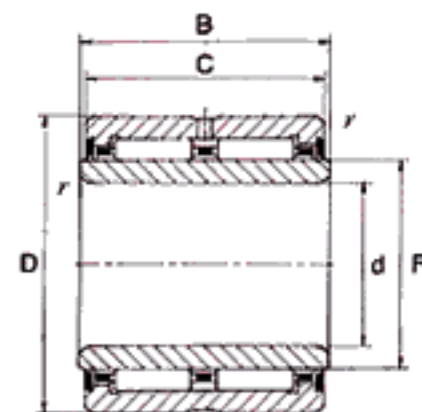
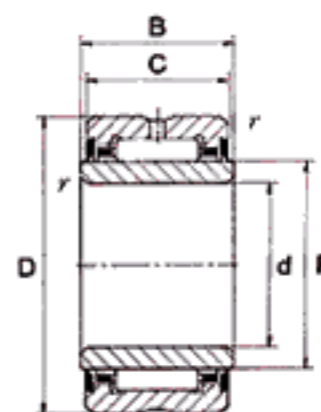


MACHINED RING NEEDLE ROLLER BEARINGS

SEALED, WITH INNER RING



NA49 UU, NA69 UU ($d \leq 30$)

NA69 UU

JNS: NA49 UU, NA69 UU SEALED TYPE

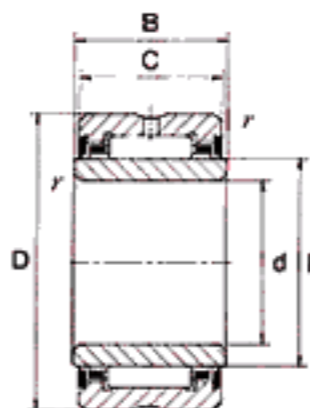
d	Dimensions (mm)					Basic dynamic load rating Cr N	Basic static load rating Cor N	Limiting speed rpm ²⁾	Designation		Weight g
	D	C	B	r_s min ¹⁾	F				NA 49 UU	NA 69 UU	
10	22	13	14	0.3	14	8 000	8 500	14 000	NA 4900 UU	—	25
	24	13	14	0.3	16	8 400	9 300	12 000	NA 4901 UU	—	28
12	24	22	23	0.3	16	15 600	20 400	12 000	—	NA 6901 UU	46
	28	13	14	0.3	20	9 600	11 700	9 500	NA 4902 UU	—	36
15	28	23	24	0.3	20	18 400	27 100	9 500	—	NA 6902 UU	63
	30	13	14	0.3	22	10 300	13 100	8 500	NA 4903 UU	—	40
17	30	23	24	0.3	22	19 800	30 600	8 500	—	NA 6903 UU	69
	37	17	18	0.3	25	17 900	20 500	7 500	NA 4904 UU	—	78
20	37	30	31	0.3	25	33 000	44 500	7 500	—	NA 6904 UU	140
	39	17	18	0.3	28	18 300	23 600	7 000	NA 49/22 UU	—	88
22	39	30	31	0.3	28	33 800	52 000	7 000	—	NA 69/22 UU	153
	42	17	18	0.3	30	20 300	25 100	6 500	NA 4905 UU	—	93
25	42	30	31	0.3	30	39 200	58 600	6 500	—	NA 6905 UU	162
	45	17	18	0.3	32	21 000	26 800	6 000	NA 49/28 UU	—	100
28	45	30	31	0.3	32	38 900	59 100	6 000	—	NA 69/28 UU	180
	47	17	18	0.3	35	21 600	28 400	5 500	NA 4906 UU	—	106
30	47	30	31	0.3	35	40 100	63 100	5 500	—	NA 6906 UU	185
	52	20	21	0.6	40	29 300	44 100	5 000	NA 49/32 UU	—	167
32	52	36	37	0.6	40	50 300	88 400	5 000	—	NA 69/32 UU	300

1) Smallest permissible chamfer dimension.

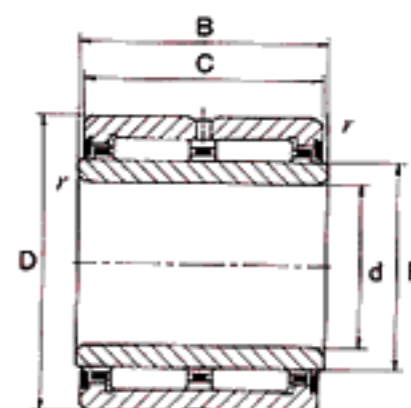
2) Suitable for grease lubrication.

MACHINED RING NEEDLE ROLLER BEARINGS

SEALED, WITH INNER RING



NA49 UU



NA69 UU

JNS: NA49 UU, NA69 UU SEALED TYPE

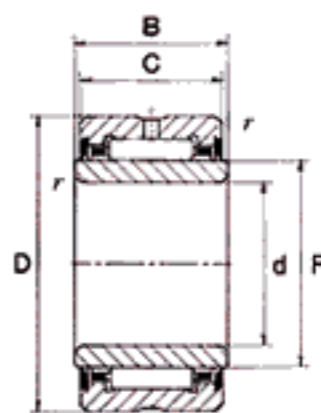
d	Dimensions (mm)					Basic dynamic load rating Cr N	Basic static load rating Cor N	Limiting speed rpm ²⁾	Designation		Weight g
	D	C	B	$\frac{r}{s} \min$ ¹⁾	F				NA 49 UU	NA 69 UU	
35	55	20	21	0.6	42	30 100	46 300	4 500	NA 4907 UU	—	179
	55	36	37	0.6	42	51 600	92 600	4 500	—	NA 6907 UU	320
40	62	22	23	0.6	48	37 200	58 300	4 000	NA 4908 UU	—	245
	62	40	41	0.6	48	63 700	116 700	4 000	—	NA 6908 UU	440
45	68	22	23	0.6	52	38 800	63 400	3 500	NA 4909 UU	—	290
	68	40	41	0.6	52	66 700	126 500	3 500	—	NA 6909 UU	510
50	72	22	23	0.6	58	41 300	71 100	3 500	NA 4910 UU	—	300
	72	40	41	0.6	58	70 800	142 200	3 500	—	NA 6910 UU	530
55	80	25	26	1	63	52 200	85 700	3 000	NA 4911 UU	—	415
	80	45	46	1	63	89 400	171 600	3 000	—	NA 6911 UU	730
60	85	25	26	1	68	54 500	92 800	3 000	NA 4912 UU	—	445
	85	45	46	1	68	93 500	185 300	3 000	—	NA 6912 UU	785
65	90	25	26	1	72	56 900	100 000	2 500	NA 4913 UU	—	475
	90	45	46	1	72	97 500	200 100	2 500	—	NA 6913 UU	830
70	100	30	31	1	80	76 900	143 200	2 500	NA 4914 UU	—	770
	100	54	55	1	80	123 600	281 500	2 500	—	NA 6914 UU	1 400
75	105	30	31	1	85	79 600	153 000	2 000	NA 4915 UU	—	810
	105	54	55	1	85	127 500	299 100	2 000	—	NA 6915 UU	1 480
80	110	30	31	1	90	80 700	157 900	2 000	NA 4916 UU	—	860
	110	54	55	1	90	132 400	316 800	2 000	—	NA 6916 UU	1 560

1) Smallest permissible chamfer dimension.

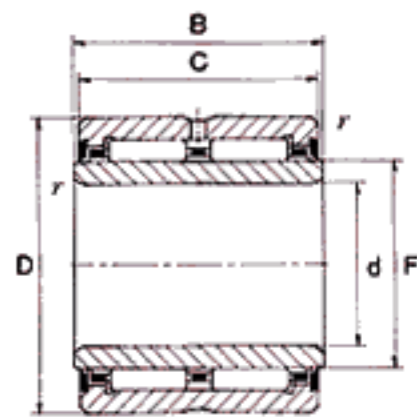
2) Suitable for grease lubrication.

MACHINED RING NEEDLE ROLLER BEARINGS

SEALED, WITH INNER RING



NA49 UU



NA69 UU

JNS:NA49 UU,NA69 UU SEALED TYPE

d	Dimensions (mm)					Basic dynamic load rating Cr N	Basic static load rating Cor N	Limiting speed rpm ²⁾	Designation		Weight g
	D	C	B	r_s min ¹⁾	F				NA 49 UU	NA 69 UU	
85	120	35	36	1.1	100	103 000	225 600	1 900	NA 4917 UU	—	1 300
	120	63	64	1.1	100	167 700	447 200	1 900	—	NA 6917 UU	2 300
90	125	35	36	1.1	105	105 900	237 300	1 800	NA 4918 UU	—	1 360
	125	63	64	1.1	105	172 600	470 700	1 800	—	NA 6918 UU	2 470
95	130	35	36	1.1	110	109 800	250 100	1 700	NA 4919 UU	—	1 420
	130	63	64	1.1	110	176 500	493 300	1 700	—	NA 6919 UU	2 600

1) Smallest permissible chamfer dimension.

2) Suitable for grease lubrication.